



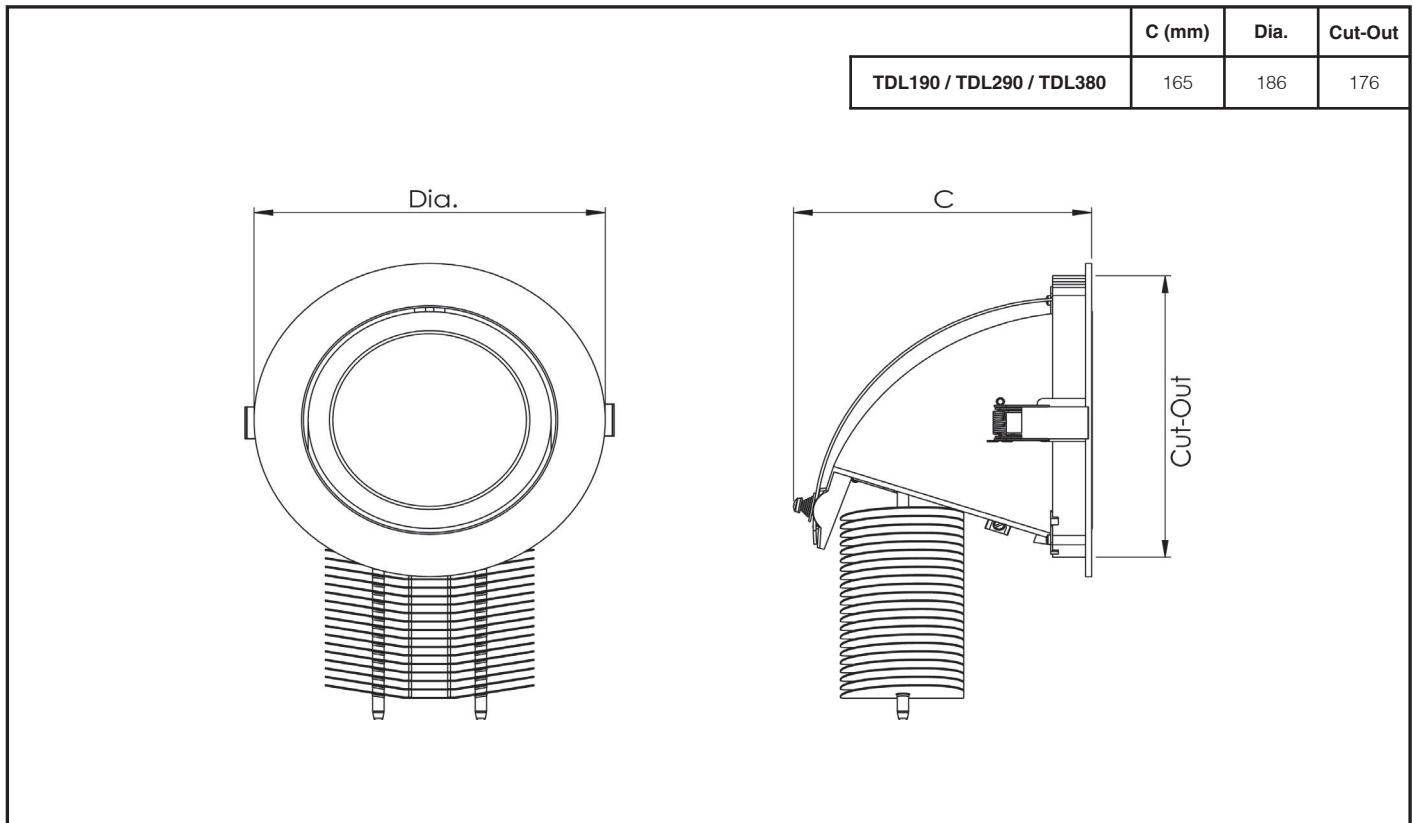
Product Name: i5

General information

- This luminaire must be installed in accordance with the latest edition of the IET Wiring Regulations and local Building Regulation by a qualified competent person.
- The mains power supply must be turned off before inspection, installation or removal of the luminaire, ensuring that the supply is locked off to prevent inadvertently switching the supply on.
- It is the installer's responsibility to ensure that the installation is suitable for the total load of the luminaire(s). The supply cable fuses/circuit breakers must be correctly rated for the electrical load and taking into account for any transient inrush currents that may occur.
- It is the installer's responsibility to ensure that the environmental operating and storage conditions are complied with and that any fire risks are considered.
- Do not perform insulation strength or insulation resistance tests on the installation with the luminaire(s) connected, this can damage the luminaires and give erroneous readings.
- Do not loop-in supply cables at the luminaire supply terminals unless there is provision for 2-way connection at the terminals.
- The light source contained in this luminaire must only be replaced by TamLite Lighting or an appointed service agent.
- Emergency lighting luminaires must be installed and maintained in accordance with the emergency lighting standard BS 5266-1.
- To ensure that the product warranty remains valid, the luminaire must be installed and maintained in accordance with these installation instructions and the product must not be modified in any way.

-  Luminaires marked with this symbol must not be covered with thermally insulating material.
-  This symbol on covers over light sources indicates dangerous live parts do not operate the luminaire with this cover removed.

Dimensions



Product Name: i5

| | |
|---|--|
| <p>1</p> <p>Remove the product from its packaging.</p> | <p>2</p> <p>Bring incoming supply cable to the intended luminaire position.</p> |
| <p>3</p> <p>Terminate supply cable according to the markings on the LED driver.</p> | <p>4</p> <p>Feed LED driver in to ceiling void.</p> |
| <p>5</p> <p>Adjust luminaire tilt angle.</p> | <p>6</p> <p>Connect the DC power supply and fold the recess arms back to install the unit.</p> |
| <p>7</p> <p>Adjust the luminaire as necessary.</p> | |

Page 2 of 2

Tamlite Technical
Stafford Park 12,
Telford, Shropshire,
TF3 3BJ

+44(0)1952 292441
technical@tamllite.co.uk
Document No: V2

*Note: Standard and M3 variants are Class II.
A3 and D3 emergency variants are Class I and require an Earth.

| | | | | | | | |
|--|--|--|---------------------|--|------|------|---|
| | | | 220-240V 50/60Hz | | IP20 | IK04 | ta 0°C to 25°C 5°C to 25°C for M3 variants |
|--|--|--|---------------------|--|------|------|---|